

Flexible LED Neon Strip Light

This flexible LED neon strip light is designed for both indoor and outdoor use. It provides a continuous, uniform light output, mimicking traditional neon with the energy efficiency of LEDs.



ADDITIONAL IMAGES

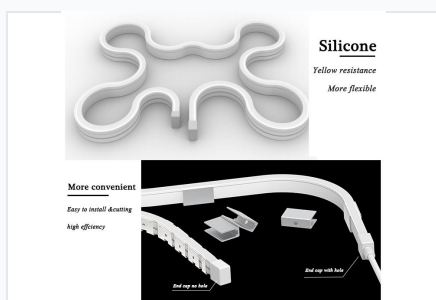


Overview

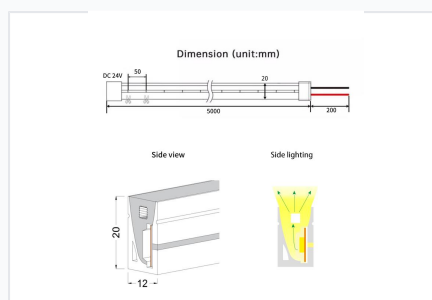
Flexible LED Neon Strip Light

This flexible LED neon strip light is designed for professional architectural and decorative lighting applications. Constructed with high-quality silicone, it offers a durable, weather-resistant solution for both indoor and outdoor environments. With its IP65 rating and flexible design, it can be easily shaped to fit custom signage or accent lighting projects, providing a smooth, uniform light output that mimics traditional neon with superior energy efficiency.

Technical Specifications



High-flexibility silicone design allows for easy cutting and installation with versatile end cap options.



Detailed dimensions for integration, featuring a 20mm height and 12mm width profile.



Wireless remote control for adjusting color, brightness, and dynamic lighting modes.

IP Rating

IP65

Input Voltage

DC 12V/24V

Color Options

3000K, 4000K, 6500K, Red, Green, Blue, RGB

CRI (Ra)

90

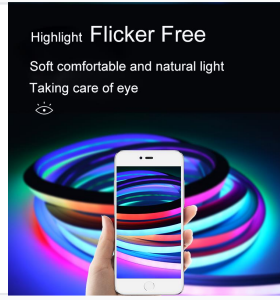
Housing Material

Silicone

Supports Dimming

Yes

Performance



Engineered for soft, natural, and flicker-free illumination to ensure eye comfort.

Working Lifetime	50000 hours
Product Weight	0.26 kg
Warranty	3-Year

Installation & Services



Highly flexible material allows for creative DIY shaping for signage and decorative projects.



Includes essential mounting hardware for a secure and professional installation.

Lighting Solutions Services

- Lighting and circuitry design
- Onsite metering
- DIALux evo layout
- LitePro DLX layout
- Auto CAD layout
- Agi32 layout
- Project Installation

Primary Application	Landscape & Architectural
---------------------	---------------------------

Certifications

Compliance	RoHS, CE
------------	----------