

6-Axis Industrial Robot Arm

This 6-axis industrial robot is widely used in the welding of automobiles, motorcycles, agricultural machines, and engineering machines. It offers a payload capacity of 6 kg and a reach of 2060 mm.



Overview

High-Performance Industrial Automation

This 6-axis industrial robot arm is engineered for high-precision tasks, including welding, material handling, and assembly. Featuring a robust payload capacity of 6 kg and an extensive reach, it offers the flexibility required for complex manufacturing environments. Its advanced control system and compact design ensure smooth, efficient operation, while robust construction guarantees long-term reliability in demanding production lines.

Application

Typical Applications

Automotive Manufacturing, Motorcycle Parts, Agricultural Machinery, Engineering Machinery, Hardware Welding

Performance Metrics

Key Performance Metrics

6 kg

Payload Capacity

2060 mm

Maximum Reach

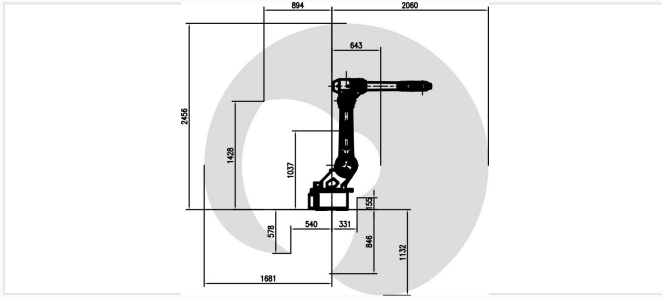
0.05 mm

Repeatability

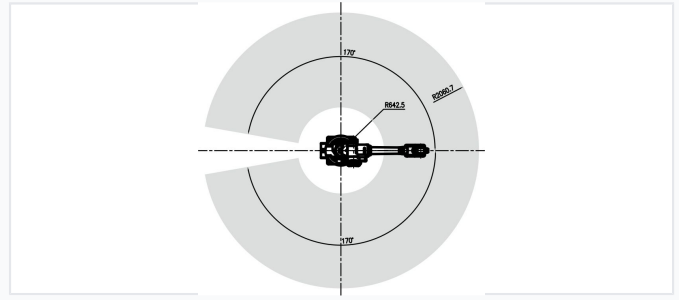
185 kg

Machine Weight

Motion Range



Technical diagram detailing the robot's workspace envelope and key integration dimensions.



Visual representation of the robot arm's operational radius and rotational capabilities.

Joint Motion Ranges

Joint	Range (degrees)
J1	$\pm 170^\circ$
J2	+120° to -85°
J3	+83° to -150°
J4	$\pm 180^\circ$
J5	$\pm 135^\circ$
J6	$\pm 360^\circ$

Technical Specifications

Joint Top Velocities

- J1: 200°/s
- J2: 200°/s
- J3: 200°/s
- J4: 400°/s
- J5: 356°/s
- J6: 600°/s

Allowed Top Torque

- J4: 14 N.m
- J5: 12 N.m
- J6: 7 N.m