

1.25G SFP Duplex LC 1310/1550nm Optical Module

This 1.25G SFP optical module features a duplex LC connector and supports 1000Base-LX/LH. It is designed for single-mode fiber, with transmission distances ranging from 10km to 120km.



ADDITIONAL IMAGES

Payment
T/T by bank is our preferable payment method, we also accept different payments such as: LC, Western Union, Paypal and Escrow

T/T LC **WESTERN UNION** **Paypal** **ESCROW**

Shipment
Lead time based on our strong production capacity normally the product can ready within 3 days if the qty of the order is more than 1000pcs, maybe we need a little more time.
Delivery methods big order could be by sea or air, small volume could be by Express.
14 DAYS FOR QUALITY INSURANCE

Warranty
All products have been checked and packed in good condition after our serious QC test. If you have any question, pls feel free to contact us, we would get it solved in limited time and our service would make you trust us.
3 years normal warranty is provided

Remark
We answer all your inquiries in 8 hours or less guaranteed, pls feel free to contact us below.
Trade Manager: baudcom
Skype: robert.lu@baudcom
Tel: +86 21 3100092 or +86 21 3100092 (24 hours for you)
www.baudcom.com



Overview

High-Performance 1.25G SFP Transceiver

This 1.25G SFP optical module is a high-performance, cost-effective solution for serial optical data communications. Designed for Gigabit Ethernet and Fiber Channel links, it features a duplex LC connector and supports transmission distances ranging from 10km to 120km over single-mode fiber. The module is hot-pluggable and fully compliant with the SFP Multi-Source Agreement (MSA) for seamless integration into professional networking equipment.

Key Performance Metrics

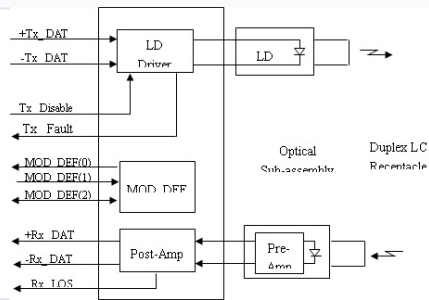
Performance Highlights

1.25 Gbps
Data Rate

100 km
Max Distance

3.3 V
Supply Voltage

Technical Specifications



Internal architecture showing the Tx/Rx sections, LD driver, and optical sub-assembly for the Duplex LC interface.

Wavelength	1310nm, 1550nm
Connector Type	Duplex LC
Fiber Type	Single-mode Fiber (SMF) 9/125 μ m
Power Dissipation	700 mW

Compliance & Standards

Standards Compliance

- SFP Multi-Sourcing Agreement (MSA)
- IEEE Std 802.31 Gigabit Ethernet
- IEEE 802.3z 1000BASE-LX
- FC-P1 13.03 (1x/2x Fiber Channel)

Certifications

CE • Class 1 Laser Product

Applications

Primary Applications

- Switch to switch interface
- High speed I/O for file servers
- Bus extension applications
- Gigabit Ethernet links

Operational Limits

Supply Voltage Ratings

Parameter	Symbol	Min	Max	Unit
Maximum Supply Voltage	Vcc	0.5	4.5	V

Features

Physical Features

- Hot-pluggable SFP footprint
- Metal enclosure for lower EMI
- Very low jitter
- FP/DFB Laser transmitter